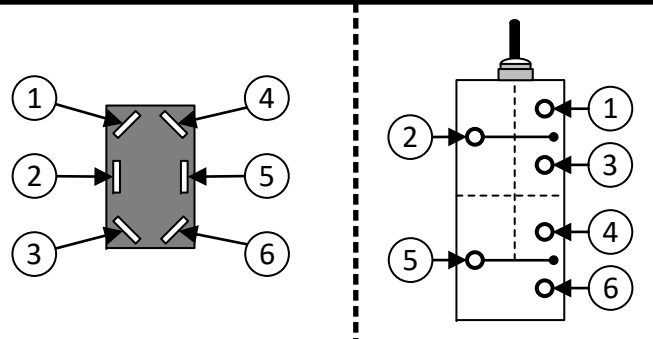
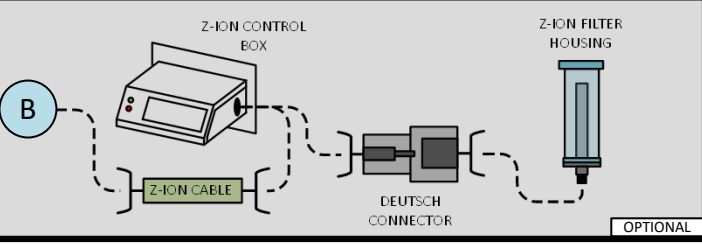


Detail View 2: DPDT Switch Operational Schematic



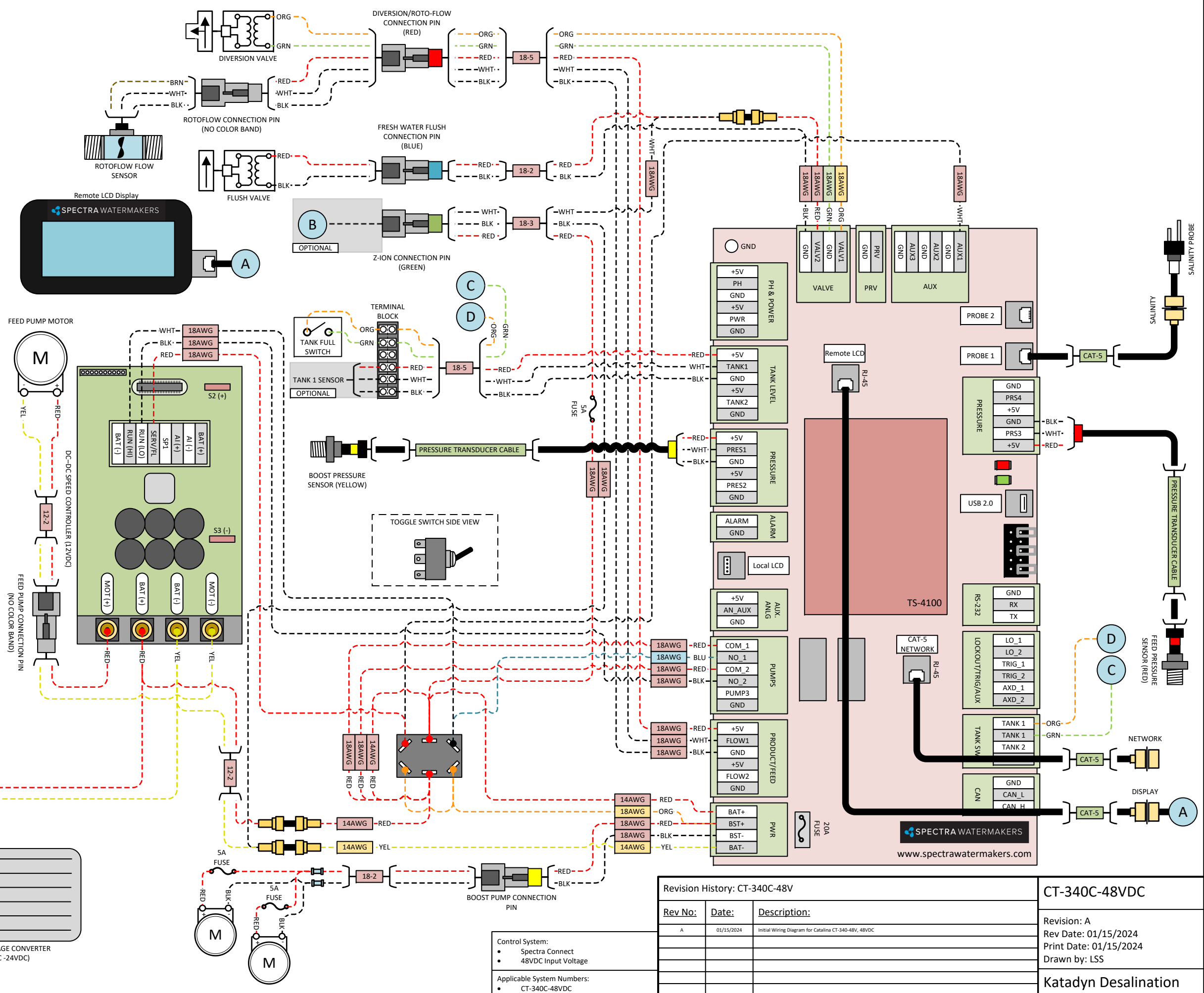
RUN (AUTO): MIDDLE – NO CONNECTIONS MADE
RUN (MANUAL): UP – PIN 2 TO PIN 3, PIN 5 TO PIN 6
RUN (SERVICE): DOWN – PIN 2 TO PIN 1, PIN 5 TO PIN 4

Detail View 1: Z-Ion Wiring/Connection (Optional)



List of Symbols: KEY

BLK	WIRE COLOR LABEL – INDICATES A BLACK WIRE
RED	WIRE COLOR LABEL – INDICATES A RED WIRE
YEL	WIRE COLOR LABEL – INDICATES A YELLOW WIRE
ORG	WIRE COLOR LABEL – INDICATES A ORANGE WIRE
GRN	WIRE COLOR LABEL – INDICATES A GREEN WIRE
BLU	WIRE COLOR LABEL – INDICATES A BLUE WIRE
BRN	WIRE COLOR LABEL – INDICATES A BROWN WIRE
18-2	WIRE GAUGE LABEL – INDICATES A GAUGE FOR A CABLE OF MULTIPLE WIRES, FORMATED AS (WIRE GAUGE)-(NUMBER OF WIRES IN CABLE)
18AWG	WIRE GAUGE LABEL – INDICATES A GAUGE FOR A SINGLE WIRE
⚡	FUSE – NECESSARY SIZING INFORMATION CALLED OUT ON WIRING DIAGRAM
♂	CONNECTION – MALE/FEMALE SPADE WIRE TERMINAL
♀	CONNECTION – BUTT CONNECTOR WIRE TERMINAL
—	WIRING – SINGLE WIRE CUSTOM – SOLAR CHARGING CABLE
- - -	WIRING – SINGLE WIRE BLACK OR WHITE – TYPICAL COMM COLOR
- · - · -	WIRING – SINGLE WIRE RED – TYPICAL DC POWER POSITIVE COLOR
- · - · -	WIRING – SINGLE WIRE YELLOW – TYPICAL DC POWER NEGATIVE COLOR
- · - · -	WIRING – SINGLE WIRE ORANGE – TYPICAL FUSE WIRING COLOR
- · - · -	WIRING – SINGLE WIRE GREEN – TYPICAL GROUNDING COLOR
- · - · -	WIRING – SINGLE WIRE BLUE – TYPICAL SIGNALING COLOR
- · - · -	WIRING – SINGLE WIRE BRN – NOT A TYPICAL COLOR
A	NOTATION – WIRE CONTINUITY SYMBOL INDICATES CONTINUITY BETWEEN MATCHING ALPHABETIC SYMBOLS – LARGE ALPHABETIC CIRCLE



Revision History: CT-340C-48V

Rev No:	Date:	Description:
A	01/15/2024	Initial Wiring Diagram for Catalina CT-340-48V, 48VDC

CT-340C-48VDC

Revision: A
 Rev Date: 01/15/2024
 Print Date: 01/15/2024
 Drawn by: LSS

Katadyn Desalination

- Control System:
- Spectra Connect
 - 48VDC Input Voltage
- Applicable System Numbers:
- CT-340C-48VDC